

An abstract graphic design featuring several thick, grey, rounded lines and shapes. A horizontal line runs across the top. A diagonal line descends from the top right towards the bottom left. Another diagonal line descends from the middle left towards the bottom right. A horizontal line runs across the bottom. A small circle is positioned on the left side, partially cut off by the edge. The text 'ONULIS WRAP Storage Stand' is centered on the right side of the page.

ONULIS

**WRAP**

**Storage Stand**



## COPYRIGHT

Copyright © 2024 Onulis. All rights reserved.

No part of this document may be reproduced, stored in a retrieval system or database, translated into any human or computer language in any form, or transmitted in any form or by any means, mechanical, electronic, photocopying, recording, or otherwise, without prior written permission from Onulis. This document may be printed for internal use only. All copies shall retain a fully copy of this copyright notice.

## TRADEMARKS

WRAP and Onulis are trademarks of Onulis. All other product names, trademarks, or registered trademarks are property of their respective owners. All product, company, or service names used are for identification purposes only. Use does not imply endorsement.

## LIABILITY

The information provided herein is for reference only. Onulis may, at any time and without notice, make changes to this document. Onulis shall not be liable for errors contained herein or for incidental, consequential, indirect, or special damages, including, but not limited to, the implied warranties of merchantability and fitness for a particular purpose.

It is the responsibility of the user to determine that a material is safe, lawful, and suitable for the intended application, and to identify the proper material disposal method, consistent with local environmental regulations.

Except as provided in Onulis' standard terms and conditions of sale, Onulis shall not be responsible for any loss resulting from any use of products described herein.

## WARRANTY

The Storage Stand comes with a 30 day warranty.

## DISCLAIMERS

User acknowledges that the contents of this document and all Onulis products are subject to its standard terms and conditions of sale, available at <https://www.onulis.com/terms-and-conditions-of-sale>, and incorporated herein by reference.

Specifications in this document are subject to change without notice.

# TABLE OF CONTENTS

<b>Storage Stand Safety</b> .....	1
<b>Parts</b> .....	2
<b>Assembly Instructions</b> .....	2
Attach Back Panel .....	3
Install Leveling Legs .....	4
Install Shelves .....	4
Install Doors .....	4
Complete Assembly .....	5

For any questions about your purchase, please reach out to the following:

**General Inquiries:** [info@onulis.com](mailto:info@onulis.com)



**Support Request:** [maintenance@onulis.com](mailto:maintenance@onulis.com)

**Purchases:** [orders@onulis.com](mailto:orders@onulis.com)

# STORAGE STAND SAFETY

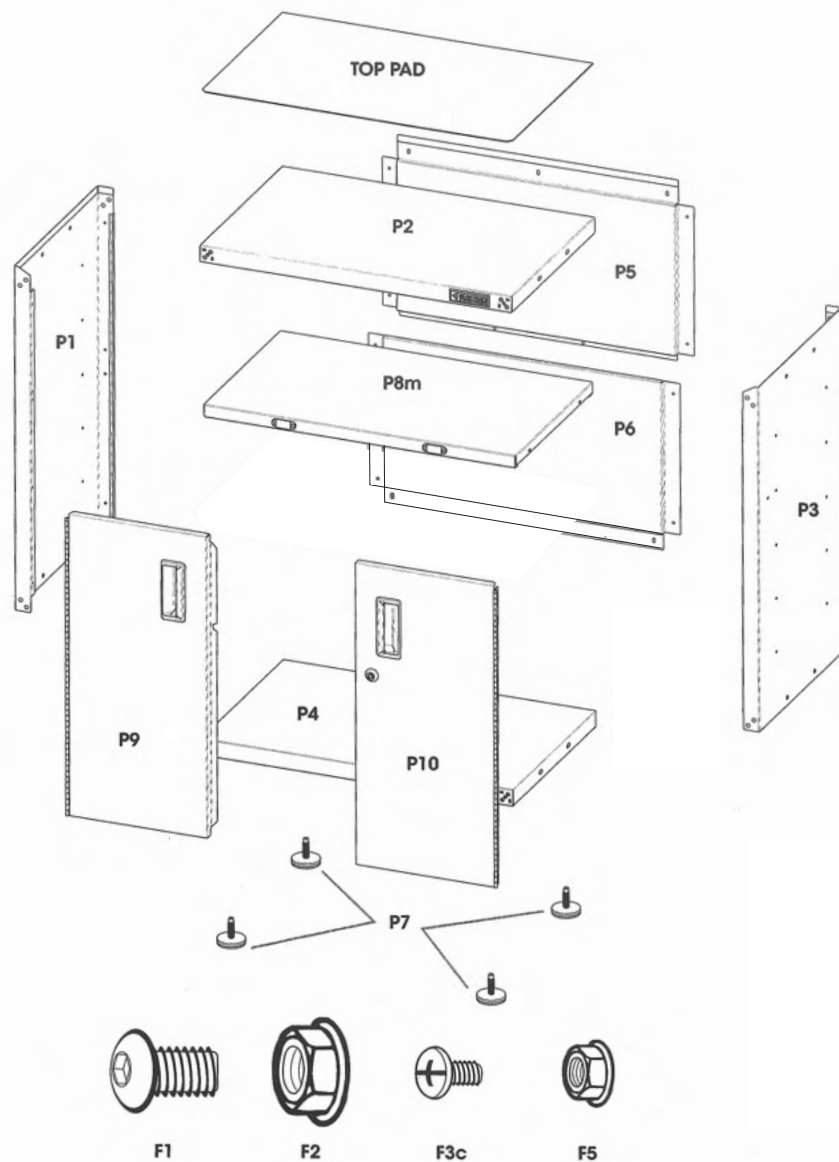
Your safety and the safety of others is very important.

We have provided many important safety messages in this manual. Always read and obey all safety messages.

Symbol	Meaning
	<p>This is the safety alert symbol. The symbol alerts you to potential hazards that can kill or hurt you and others.</p> <p>All safety messages will follow the safety alert symbol and either the word “DANGER” or “WARNING.”</p> <p>See below for definitions.</p>
	<p>You can be killed or seriously injured if you don't <u>immediately</u> follow instructions.</p>
	<p>You can be killed or seriously injured if you don't follow instructions.</p>

All safety messages will tell you what the potential hazard is, tell you how to reduce the chance of injury, and tell you what can happen if the instructions are not followed.

# PARTS



## ASSEMBLY INSTRUCTIONS

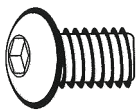
### Storage Stand Use Requirements:

- Maximum weight limit is 45 lbs for each shelf.
- Maximum weight limit is 300 lbs for the storage stand.

### Unpack Cabinet Parts

1. Remove and verify the contents. Contents should include a hex key wrench, a key, and the parts and fasteners shown in "Parts."
2. Dispose of/recycle all packaging materials.

# ASSEMBLE STAND



F1

F1 5/16" Internal hex head bolt (24)



F2

F2 5/16" Flange nut (8)

Gather the required tools before starting installation.

### Tools Needed:

- 1/2" Wrench
- 3/8" Wrench
- 11/32" Wrench
- Phillips screwdriver
- Pliers
- Level

### Tools Supplied:

- Hex key
- Key

## ! WARNING

### Excessive Weight Hazard

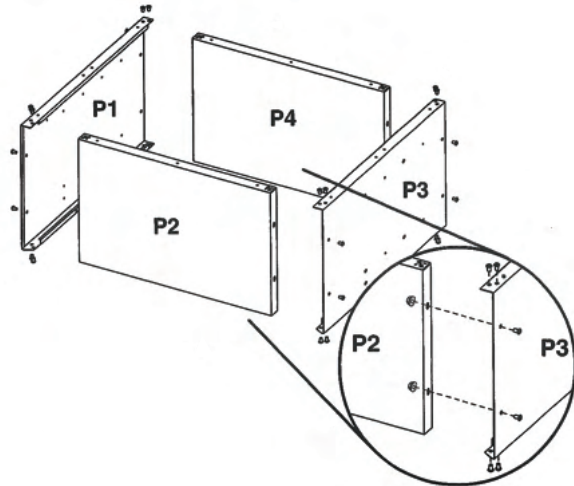
Use two or more people to move, assemble, or install cabinet.

Failure to do so can result in back or other injury.

### IMPORTANT:

- Two people may be required to complete assembly.
  - As you assemble the storage stand, make sure the edges with the holes are facing up.
1. Place side panel (P1) on a flat, firm surface so that the edge with the holes is facing up, as shown.
  2. Insert the cabinet top (P2) between the edges of side panel (P1). **NOTE:** Make sure the edges with the holes are facing up.
  3. Align the holes and attach the top (P2) to a side panel (P1) using six internal hex head bolts (F1) and two 5/16" flange nuts (F2) on the two middle holes only, as shown. Do not tighten completely.
  4. Position side panel (P2) so that the top (P2) is between the edges of side panel (P3).

5. Align the holes and attach the top (P2) to the side (P3) using internal head bolts (F1) and two 5/16" flange nuts (F2) for the two middle holes only, as shown. Do not tighten completely.
6. Insert cabinet bottom (P4) between the edges of side panels (P1 and P3). **NOTE:** Make sure the edges with the holes are facing up.
7. Align the holes and attach the bottom (P4) and the two side panels (P1 and P3) using six hex-head bolts (F1) and two 5/16" flange nuts (F2) for the two middle holes only, for each side as shown. Do not tighten completely.



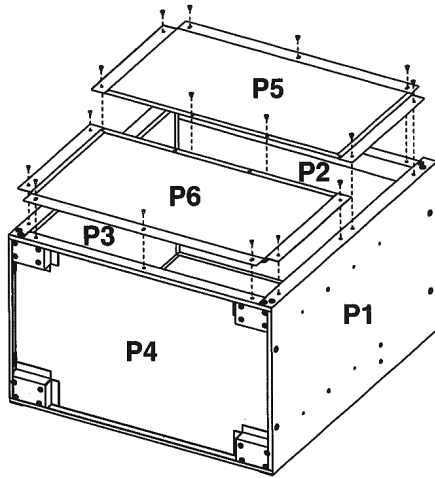
## ATTACH BACK PANELS



F3c

F3c Phillips-head screw (16 - black)

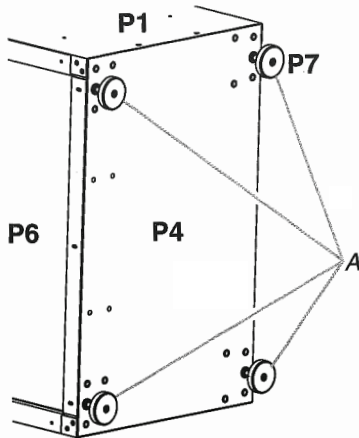
1. Align lower back panel (P6) with the holes and the cabinet bottom (P4). Using Phillips-head screws (F3c), attach back panel (P6) to the bottom (P4) and sides (P1 and P3), as shown. Do not tighten screws completely.
2. Align upper back panel (P5) with the holes in the cabinet top (P2). Using Phillips-head screws (F3c), attach back panel (P5) to the top (P2) and sides (P1 and P3) as shown. Do not tighten screws completely. **NOTE:** Upper back panel (P5) will slightly overlap lower back panel (P6).
3. Using Phillips-head screws (F3c), attach the upper back panel (P5) to the lower back panel (P6) as shown.
4. Completely tighten all the back panel screws starting with the sides and continuing with the top, middle, and bottom.



5. Using the hex key (provided), completely tighten all the cabinet bolts and nuts.

## INSTALL LEVELING LEGS

1. Place the cabinet on its side.
2. Screw a leveling leg (P7) into each of the four rivet nuts located at the corners of the cabinet, as shown.



A. Leveling legs

3. Stand the cabinet upright.
4. If you have not already, fasten the two bolts at each front corner of the cabinet frame. Completely tighten all the cabinet bolts and nuts.

## INSTALL SHELF



F3c



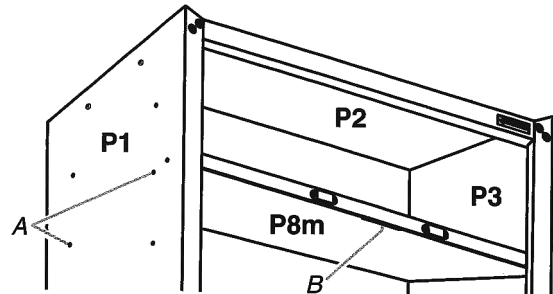
F5

F3c Phillips-head screw (8 - black)  
F5 Small flange nut (8)

## IMPORTANT

- Install shelf (P8m) in the cabinet so that the long edge with magnets is facing the cabinet front.
- Install shelf (P8m) in the middle of the cabinet, so that Disposable Tubes will fit upright.

1. Align the holes in the shelf with the pair of holes shown.
2. Using Phillips-head screws (F3c) and small flange nuts (F5) per side, fasten shelf (P8m) to the cabinet sides (P1 and P3).



A. Holes for installing shelf  
B. Slot in shelf for lock

## INSTALL DOORS

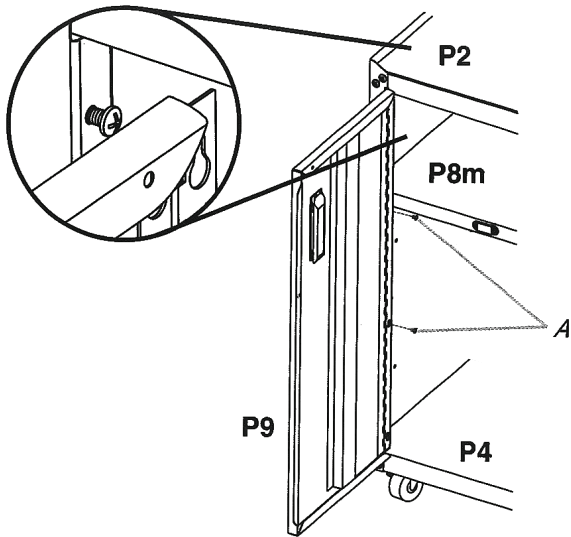


F3c

F3c Phillips-head screw (8 - black)

The door hinges are designed with keyhole slots at the top and bottom. The door will hang on the cabinet while you are fastening the screws.

1. Start Phillips-head screws (F3c) in both the top and bottom holes on each side of the cabinet.
2. Hang the right-hand side door (P10) from the top and bottom screws and hand tighten.
3. Insert the middle two screws through the door hinge into the cabinet and hand tighten, as shown below.



*A. Phillips-head screws (F3c)*

4. Repeat steps 2 and 3 to attach the left-hand door (P9).
5. Align the doors and completely tighten the screws.

---

## COMPLETE ASSEMBLY

1. Make sure there is a bolt or screw in each hole of the cabinet frame.
2. Move the cabinet to its final location.
3. If the doors are not aligned, loosen all the screws attaching the door hinge to the cabinet.
4. Adjust door to desired height, and fully tighten screws.





ONULIS  
FUTURE SOLUTIONS, NOW